

- ▲Input Voltage 220-240VAC
- ▲Protections: short circuit/over load/over voltage
- ▲IP20 Ingress protection
- ▲Power Factor 0.5
- ▲Efficiency $\geq 80\%$
- ▲Class II, SELV, independent
- ▲Flicker-free design
- ▲3 years warranty

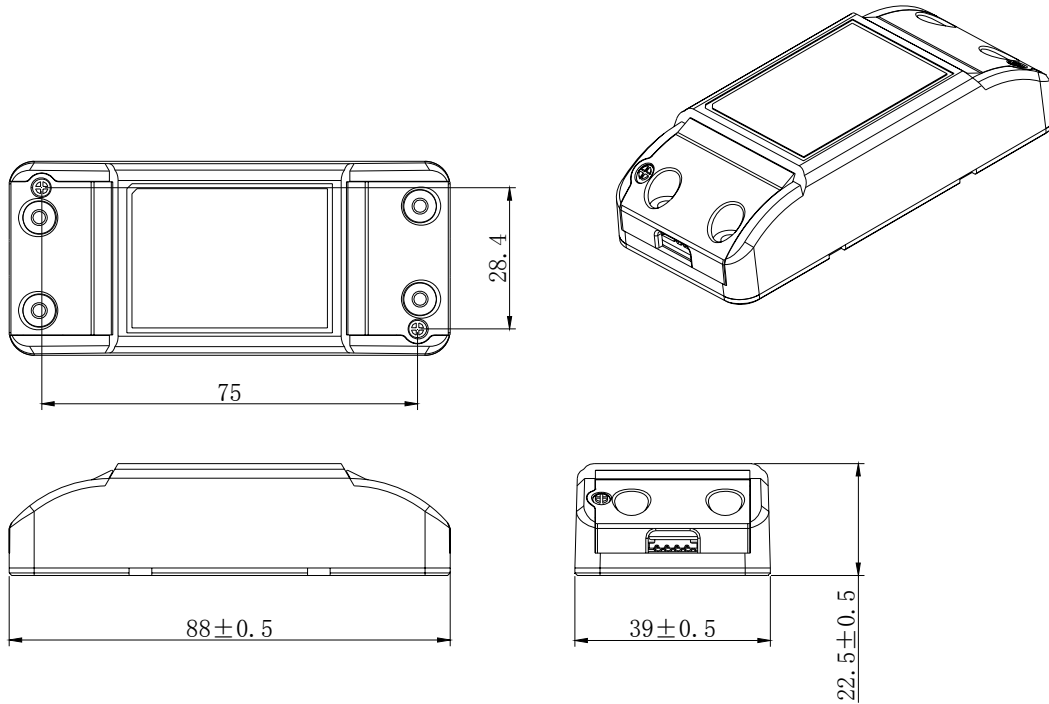


SELV  

SPECIFICATION

Input	Rated input voltage	220-240VAC				
	Range of input voltage	176-264VAC				
	Frequency(Hz)	50/60 Hz				
	Power Factor	0.5±0.05 @220-240VAC				
	Input Current max	0.18A MAX. @Full Load,176VAC				
	Start-up time	<0.5S				
	Unload Power Consumption	≤0.5W				
	Inrush Current	20A MAX. @Full Load,240VAC				
	Leakage Current	<0.5mA(240VAC)				
Output	Constant Current Note3	120mA	350mA	500mA	...	700mA
	Unload voltage Max.	120VDC	45VDC	31VDC	...	25VDC
	Voltage Range(VDC)	60-100VDC	20.5-34.5VDC	14-24VDC	...	10.5-17.5VDC
	Rated load	12W Max.	12.1W Max.	12W Max.	...	12.3W Max.
	Current Accuracy	±5%(±7% for constant current ≤200mA)				
	Voltage Regulation	≤5% @Full Load				
	Load Regulation	≤5%(8% for constant current ≤150mA)				
	Hold-up Time	1s max.@Full Load				
	Ripple& Noise Note.2	<12mAp-p	<35mAp-p	<50mAp-p	...	<70mAp-p
	Efficiency	≥80%				
Protection	Over Load Protection	105-120%				
		Protection type: Auto Resume				
	Over Voltage Protection	>120VDC	>45VDC	>31VDC	...	>25VDC
	Protection type: Auto Resume					
	Short circuit Protection					
	Protection type: Auto Resume					
Environment	Operating Temperature	-10℃...+50℃				
	tc	85℃				
	Storage Temperature	-20℃...+60℃				
	Humidity	10%-90%RH				
	Life time	>30,000h @50℃				
Others	Dimension	88X39X22.5(LXWXH)mm				
Safety & EMC	Safety standards	EN 61347-1; EN61347-2-13				
	Withstand voltage	Input-Output: 3750V/5mA/1min				
	Isolation resistance	Input-Output: ≥4MΩ@500VDC				
	EMC standards	EN55015(Class I & Class II); EN61000-3-2 Class C; EN61000-3-3				
	EMS	EN 61547;EN 61000-4-2 — Performance Criteria B; EN 61000-4-5 —1000V; Performance Criteria C				
Note	<p>1.All parameters NOT specially mentioned are measured at 240VAC input , rated load and 25℃ of ambient temperature.</p> <p>2.Ripple & Noise are measured at 20MHz of bandwidth by using a 300mm twisted pair-wire terminated with a 0.1uF & 47 uF parallel capacitor.</p> <p>3.Output current can be 120mA or from 150mA to 700mA and increasing in multiples of 50mA. Please see Model list below and contact EAGLERISE for details.</p>					

MECHANICAL SPECIFICATIONS



Model list

Model number	Input			Output			
	Voltage (VAC)	Current	Frequency (Hz)	Constant current (mA)	Normal working voltage (VDC)	No load working voltage (VDC)	P _{rated} (W)
EIP012C0120LSS2	220-240	0.18	50/60	120	60-100	120	12
EIP012C0150LSS2	220-240	0.18	50/60	150	48-80	96	12
EIP012C0200LSS2	220-240	0.18	50/60	200	36-60	72	12
EIP012C0250LSS2	220-240	0.18	50/60	250	28.5-48	58	12
EIP012C0300LSS2	220-240	0.18	50/60	300	24-40	50	12
EIP012C0350LSS2	220-240	0.18	50/60	350	20.5-34.5	45	12.1
EIP012C0400LSS2	220-240	0.18	50/60	400	18-30	37	12
EIP012C0450LSS2	220-240	0.18	50/60	450	16-27	34	12.2
EIP012C0500LSS2	220-240	0.18	50/60	500	14-24	31	12
EIP012C0550LSS2	220-240	0.18	50/60	550	13-22	30	12.1
EIP012C0600LSS2	220-240	0.18	50/60	600	12-20	28	12
EIP012C0650LSS2	220-240	0.18	50/60	650	11-18.5	25	12
EIP012C0700LSS2	220-240	0.18	50/60	700	10.5-17.5	25	12.3